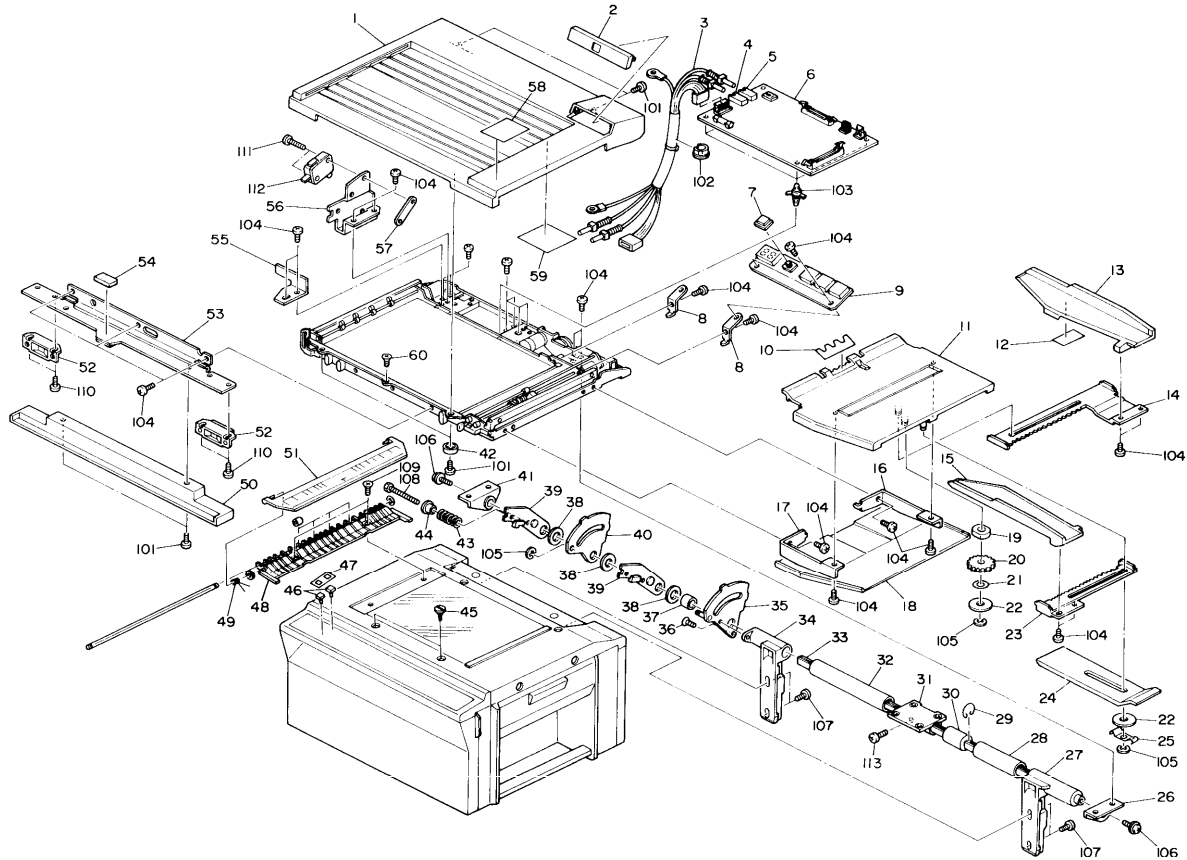


DF34

1. Document Feeder I [5918]	5- 2
2. Document Feeder II [5918]	5- 4
3. Document Feeder III [5918]	5- 6
4. DF Main Board [5918]	5-8
5. DF Harness [5918]	5-10
Parts Index	6- 1

1. DOCUMENT FEEDER I [5918]

July 31, '86



1. DOCUMENT FEEDER I [5918]

Index No.	Parts No.	Description	Q'ty Per As Semb 1 y
*	59188751	Installation Procedure - English	1
*	59188752	Installation Procedure - Europe	1
*	59184226	Multilanguage Decal	1
1	59183750	DF Cover Ass'y - 115V	1
1	59183749	DF Cover Ass'y - 220/240V	1
2	59183762	Display Panel → 59183781	1
3	59185801	Interface Harness	1
4	59185711	Fiber Output Connector	1
5	59185712	Fiber Input Connector	1
b	59185601	DF Main Board → 59185601	1
7	59182645	Key top	1
8	59182390	Display Board Bracket	2
9	59185621	Display Board	1
10	59182725	Mylar - Feed In	1
11	59182711	Original Feed Table - LT/LDG → 59182718	1
11	59182712	Original Feed Table - A4/A3 → 59182719	1
12	58942747	Mylar - Original Guides	2
13	59182740	Rear Original Guide	1
14	58754146	Rack - Rear Original Guide	1
15	59182730	Front Original Guide	1
16	59182776	Front Table Bracket	1
17	59182775	Front Table Bracket	1
18	59182755	Original Table Cover → 59182752	1
19	54432712	Cork Pad	1
20	54432657	Gear - 28Z	1
21	54432713	Wave Washer	1
22	54432660	Spacer - 6 x 22 x 0.5 mm	2
23	58754141	Rack - Front Original Guide → 59182727	1
24	59182760	Original Table Extender	1
25	59182770	Extender Spring Plate	2
26	59183160	Right Bracket - Torsion Spring	1
27	59183235	Right Mounting Post	1
28	59183244	Right Spring Pipe	1
29	58753553	Ring - Holder	1
30	59183249	Spring Holder	1

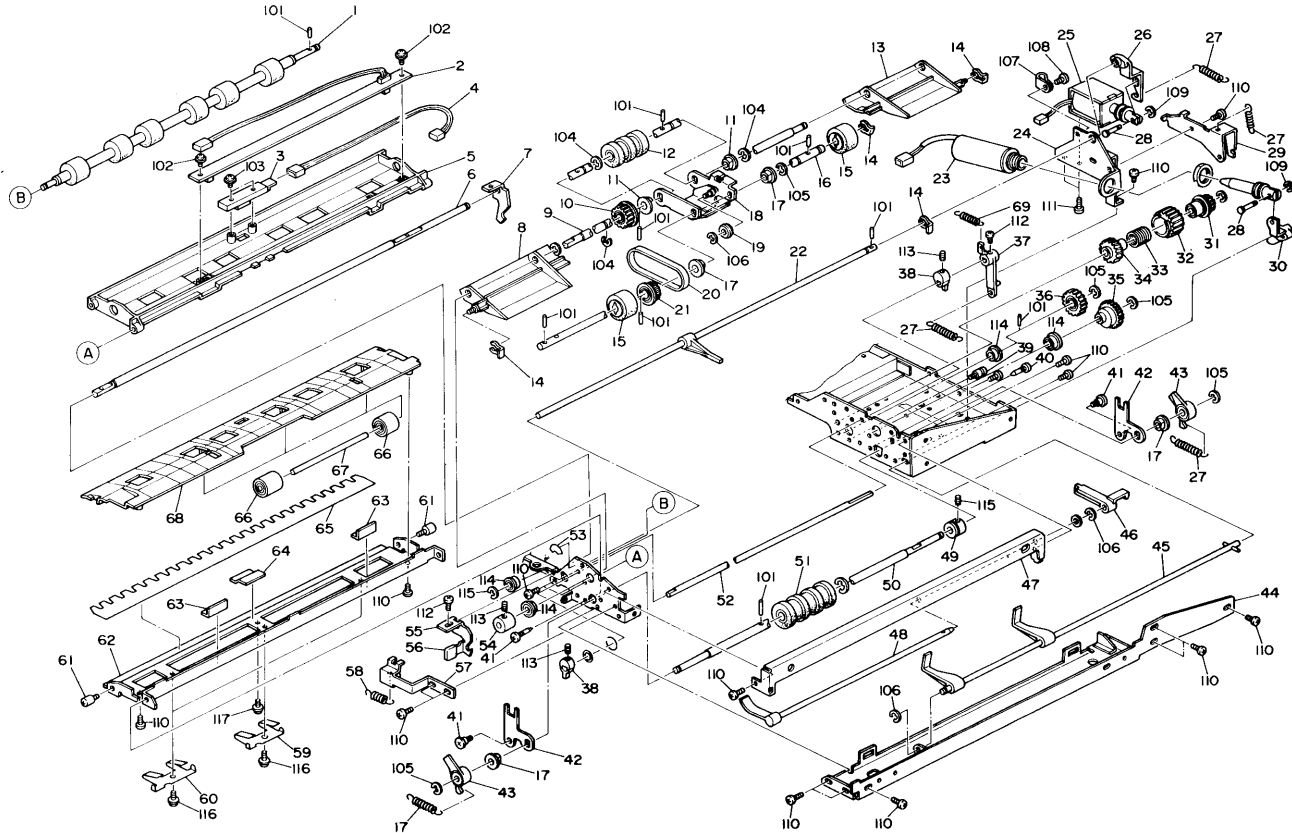
Index No.	Parts No.	Description	Q'ty Per Assembly
31	59183248	Bracket	2
32	59183243	Left Spring Pipe	1
33	59183250	Torsion Spring - 1.0 mm	1
34	59183230	Left Mounting Post	1
35	59183210	Right Brake Plate	1
36	58943215	Brake Stopper	1
37	58943219	Leaf Spring Holder	1
38	58943218	AID Pad	3
39	59183225	Brake Pad Plate	2
40	59183217	Left Brake Plate	1
41	59183156	Left Bracket - Torsion Spring	1
42	58863114	Roller Cover	2
43	58753287	Spring - Brake shoe	1
44	54032048	Bushing - 4mm	2
45	58755510	Shoulder Screw - M5	2
46	59184020	Option Key Top	2
47	59184003	ADF Key Cover - International	1
47	59184002	ADF Key Cover - English	1
48	59183875	Original Exit Guide	1
49	59183855	Spring - Flip Scale	1
50	59183770	Grip	1
51	59183911	Flip Scale - LT/LDG	1
51	59183912	Flip Scale - A4/A3	1
52	50540440	Magnet Catch Ass'y	2
53	59183390	Grip plate	1
54	59183394	Seal - 15 x 30mm	1
55	59183261	Brake Plate Stopper	1
56	59183255	Brake Plate Bracket	1
57	50560509	Nut Plate - Microswitch	1
58	59183981	Decal - Misfeed Removal	1
59	59183986	Decal - Dip SW	1
60	59183040	Shoulder Screw - M4	1

Index No.	Parts No.	Description
*	59189500	Torsion spring Kit
	Index No.	Parts No.
	30	59183249
	31	59183248
	33	59183250
	113	03160100G
101	03440060D	Phillips Truss Head Screw - M4 x 6
102	11060134	Universal Bushing → 11060134
103	11060395	Nylon Stud → 11050192
104	03140060W	Phillips Pan Head Screw - M4 x 6
105	07200040E	Retaining Ring - M4
106	09515008W	Phillips Screw with Flat Washer - M5 x 8
107	03150080W	Phillips Pan Head Screw - M5 x 8
108	03140350W	Phillips Pan Head Screw - M4 x 35
109	03240060W	Phillips Sunken Head Screw - M4 x 6
110	03130060W	Phillips Pan Head Screw - M3 x 6 → ADF
111	03130160W	Phillips Pan Head Screw - M3 x 16 → 7/10
112	12041319	Microswitch
113	03160100G	Phillips Pan Head Screw - M6 x 10



2. DOCUMENT FEEDER II [5918]

July 31, '86



2. DOCUMENT FEEDER II [5918]

July 3

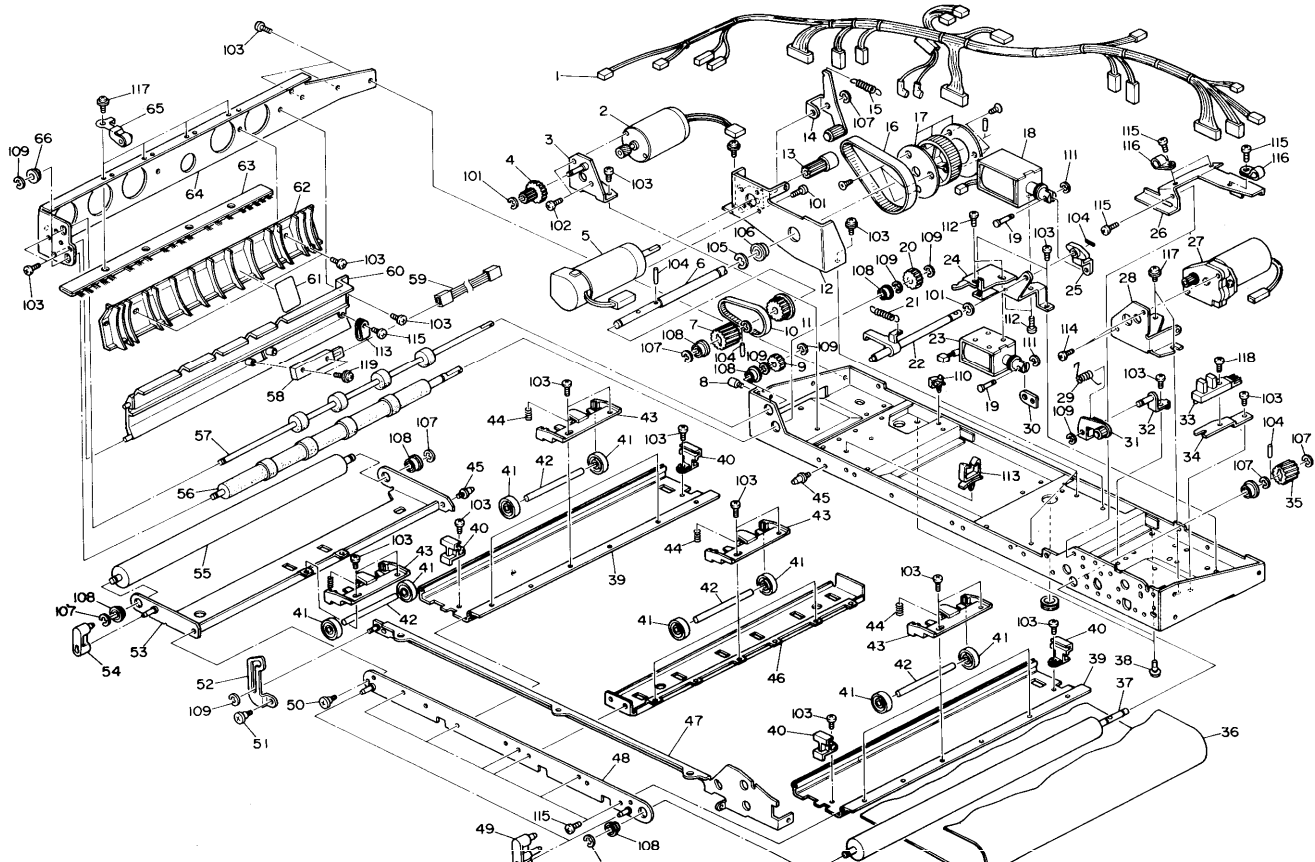
Index No.	Parts No.	Description	Q'ty Per Assembly
1	59182155	Registration Roller	1
2	59185631	Paper Size Sensor	1
3	59185721	Photosensor → 59185722	1
4	59185821	Registration Sensor Harness	1
5	59182520	Upper Feed-in Guide	1
6	59182168	Release Lever Shaft	1
7	59182172	Rear Release Lever	1
8	59182225	Front Feed-in Guide	1
9	59182224	Feed Roller Shaft	1
10	58942186	Separation Roller Pulley	1
11	50530233	Bracket - Blower → 50530223	1
12	58942181	Upper Separation Roller	1
13	59182226	Rear Feed-in Guide	1
14	54472681	Snap Ring	4
15	58942171	Original Feed Roller	2
16	59182220	Pick-up Roller Shaft	1
17	50530447	Bushing - 6mm	1
18	59182215	Pick-up Roller Bracket	1
19	58942163	Center Roller	1
20	58942174	Timing Belt	1
21	59182223	Pulley - 24T	1
22	59182375	Pck-up Control Shaft	1
23	59185501	Stopper Solenoid	1
24	59182370	Pick-up Solenoid Bracket	1
25	59185515	Pick-up Solenoid	1
26	59182371	Pick-up Lever	1
27	58942176	Spring - Detent Arm	4
28	58942229	Solenoid Pin	2
29	59182373	Stopper Bracket	1
30	59182372	Stopper Lever	1
31	59182159	Gear - 24T	1
32	59182164	Clutch Sleeve	1
33	59182163	Clutch Spring	1
34	59182158	Pulley - 25T	1
35	59182230	Gear - 45T	1

Index No.	Parts No.	Description	Q'ty Per Assembly
36	59182156	Gear - 24T	1
37	59182340	Release Arm	1
38	59182105	Eccentric Cam	2
39	54032049	Spring Anchor	1
40	54462824	Screw - Duplex Guide Plate	2
41	54132298	Stepped Screw - M4	1
42	59182102	Adjusting Plate	2
43	59182106	One Way Bearing Lever	1
44	59183355	Right Frame	1
45	59182150	Feed-in Stopper	1
46	59182250	Sensor Actuator	1
47	59182252	Right Stay	1
48	59182260	Feed-in Sensor Feeler	1
49	58942264	Collar	1
50	59182101	Separation Roller Shaft	1
51	58942183	Lower Separation Roller	1
52	59182103	Eccentric Cam Shaft	1
53	59182781	Decal - Feed-in	1
54	59182210	Collar - 6mm	1
55	59182170	Front Release Lever	1
56	67541242	Knob Cap	1
57	59182108	Adjusting Plate	1
58	52012832	Spring -Cassette Release	1
59	59182616	Middle Spring Plate	2
60	59182615	Spring Plate	1
61	54131875	Knob Screw	2
62	59182621	Entrance Guide	1
63	58755501	Sensor Pad	1
64	59182624	Seal - 12 x 17 x 0.7 mm	1
65	59182623	Paper Guide Mylar	1
66	58942412	Roller	6
67	58942413	Relay Roller Shaft	3
68	59182610	Lower Feed-in Guide	1
69	58942293	Spring - Original Stopper	1
70	08074005	Washer - 5.1 x 8 x 0.2 mm	1

Index No.	Parts No.	Description	Q'ty Assen
101	06320100E	Pin - M2 x 10	1
102	09654006W	Tapping Screw - M4 x 6	1
103	09653010W	Tapping Screw with Flat Washer - M3 x 10	1
104	07200060E	Retaining Ring - M6	1
105	07200050E	Retaining Ring - M5	1
106	07200030E	Retaining Ring - M3	1
107	11050008	Nylon Clip - 2N	1
108	03140080W	Philips Pan Head Screw - M4 x 8	1
109	07200025E	Retaining Ring - M2.5	1
110	03140060W	Philips Pan Head Screw - M4 x 6	1
111	03130040W	Philips Pan Head Screw - M3 x 4	1
112	03130060W	Philips Pan Head Screw - M3 x 6	1
113	05740040W	Hexagon Headless Set Screw - M4 x 4	1
114	08053145	Ball Bearing - 6x12x4mm	1
115	05730040W	Hexagon Headless Set Screw - M3 x 4	1
116	09514006W	Philips Screw with Flat Washer - M4 x 6	1
	07200005	Retaining Ring - M4	1

3. DOCUMENT FEEDER III [5918]

July 31, '86



3. DOCUMENT FEEDER III [59181

Index No.	Parts No.	Description	Q'ty Per Assembly
1	59185811	Main Harness	1
2	59183516	Exit Drive Motor - DC1.69W	1
3	59183523	Exit Motor Bracket	1
4	59183146	Gear - 16T/33T	1
5	58865480	Separation Motor - DC 21W M3-59185501	1
6	59182311	Middle drive Shaft	1
7	59182317	Gear - 19T	1
8	59183120	Stud - M4	1
9	59183538	Gear - 38T	1
10	59182314	Timing Belt - MM63	1
11	59182313	Pulley - 30T	1
12	59182301	Motor Bracket	1
13	59182292	Pulley - 15T → 59182270	1
14	59182321	Timing Belt Tightener	1
15	59182307	Spring - Drive Motor Tension	1
16	59182316	Timing Belt - P2M 208	1
17	59182295	Pulley - 79T	1
18	59185525	Registration Solenoid	1
19	58942229	Solenoid Pin	2
20	59183539	Gear - 44T	1
21	54083253	Spring - Cassette	1
22	59182330	Clutch Lever	1
23	59185516	Release Solenoid	1
24	59182324	Solenoid Bracket	1
25	59182325	Stopper Lever	1
26	59182385	Harness Bracket ASS'y	1
27	59182349	Feed-in Motor ASS'y - DC24V	1
28	59182355	Feed-in Motor Bracket	1
29	59182289	Spring	1
30	59182327	Release Lever	1
31	59182285	Tightener Stud	1
32	59182275	Timing Belt Tightener	1
33	52155230	Photo interrupter - L Type	1
34	59182380	Sensor Bracket	1
35	59182318	Gear - 19T	1

[Index No.	Parts No.	Description	Q'ty Per Assembly
36	59181125	Original Feed Belt	1
37	59183369	Belt Drive Roller	1
38	58943121	Base Damper	2
39	59181556	Belt Stay	2
40	59183382	Belt Stopper	4
41	59183381	Floating Roller	18
42	58751540	Shaft - Floating roller	9
43	59183383	Holder - Floating Roller	3
44	59183380	Spring - Floating Roller	9
45	59183125	Stud - M4	3
46	59183385	Belt Unit Stay	1
47	59183351	Front Frame	1
48	59183395	Front Belt Unit Plate	1
49	59183007	Belt Unit Holder - A	2
50	54132298	Stepped Screw - M4	1
51	54131882	Stepped Screw - Lamp Terminal	2
52	59183093	Link	1
53	59183365	Belt Release Bracket	1
54	59183092	Belt Unit Holder - 8	1
55	59183370	Belt Roller	1
56	59183537	Lower Exit Roller	1
57	59183536	Exit Roller	1
58	59185721	Photosensor → 59185722	2
59	59185825	Exit Sensor Harness	1
60	59183566	Right Exit Guide	1
61	58755501	Sensor Pad	1
62	59183561	Left Exit Guide	1
63	59183562	Antistatic Brush	1
64	59183563	Left Frame	1
65	59183585	Upper Exit Roller	4
66	50530447	Bushing - 6mm	1

Index No.	Parts No.	Description
101	07200030E	Retaining Ring - M3
102	03430060W	Philips Pan Head Screw - M3 x 6
103	03140060W	Philips Pan Head Screw - M4 x 6
104	06320100E	Pin - M2 x 10
105	07200070W	Retaining Ring - M7
106	08053291	Ball Bearing - 8 x 16 x 5mm
107	07200050W	Retaining Ring - M5
108	08053145	Ball Bearing - 6x12x4mm
109	07200040E	Retaining Ring - M4
110	11050087	Clamp
111	07200025E	Retaining Ring - M2.5
112	03130040W	Philips Pan Head Screw - M3 x 4
113	11050008	Nylon Clip - 2N
114	03130060W	Philips Pan Head Screw - M3 x 6
115	03140080W	Philips Pan Head Screw - M4 x 8
116	11050034	Nylon Clip - 7N
117	09514006W	Philips Screw with Flat Washer - M4 x 6
118	03140100W	Philips Pan Head Screw - M4 x 10
119	09653010W	Tapping Screw With Flat Washer - M3 x 10

4. DF MAIN BOARD [59181

July 31, '1

Index No.	Parts No.	Description	Q'ty Per Assembly
*	59185615	DF Main Board	1
1	59185613	IC - MM482764G-3	1
2	59185701	IC - HCTL-1	1
3	59185702	IC - HCTL-2	1
101	10050767	Heat Sink	
102	11010328	Connector Pin Contact	
103	11020958	Connector - 2P	
104	11030881	Connector - 4P	
105	11031726	Connector - 4P	
106	11033020	Connector - 20P	
107	11033022	Connector - 30P	
108	11040271	LSI Socket - 28P	
109	11040333	Fuse Holder	
110	11070413	Fuse - 3A	
111	12040883	DIP Switch	
112	14000100	Transistor - 2SA683	
113	14010329	IC - MP4503	
114	14010832	Diode - DSA1A1	
115	14030308	LED - TLR-102A	
116	14070604	IC - TC4049BP	
117	14071026	IC - SN74LS373N	
118	14071094	IC - HD74LS93P	
119	14071334	IC - μ P07810G	
120	14071337	IC - MN1215Q	
121	14071348	IC - TD62304P	
122	14071535	IC - TD62308AP	
123	14080076	IC - μ PC14312	
124	14080099	IC - HA17901P	
125	14080408	IC - PST518A	
126	15030070	Ceramic Oscillator - 10 MHz	

Index No.	Parts No.	Description	Q'ty Per Assembly
127	16000544	Resistor - 1K Ω 1W	
128	16000569	Resistor - 0.2 Ω 1W	
129	16000576	Resistor - 33 Ω 5W	
130	16011732	Resistor - 390 Ω 1W	
131	16017326	Resistor Array - 10K Ω	
132	16018145	Variable Resistor - 5K Ω	
133	16018157	Variable Resistor - 100K Ω	
134	16041358	Capacitor - 1000PF 10V	
135	16041381	Capacitor - 4.7 μ F 50V	
136	16041382	Capacitor - 10 μ F 50V	
137	16041383	Capacitor - 22 μ F 50V	
138	16041386	Capacitor - 100 μ F 50V	
139	16061184	Capacitor - 27PF 50V	
140	16061336	Capacitor - 1000PF 50V	
141	16061451	Capacitor - 0.1 μ F 50V	
142	16061452	Capacitor - 0.01 μ F 50V	
143	16100045	Resistor - 270 Ω 1/8W \pm 5%	
144	16100053	Resistor - 1K Ω 1/8W \pm 5%	
145	16100057	Resistor - 1.5K Ω 1/8W \pm 5%	
146	16100065	Resistor - 3.3K Ω 1/8W \pm 5%	
147	16100067	Resistor - 4.7K Ω 1/8W \pm 5%	
148	16100071	Resistor - 10K Ω \pm 5%	
149	16100079	Resistor - 22K Ω 1/8W \pm 5%	
150	16100107	Resistor - 111 Ω 1/8W \pm 5%	
151	16114103	Resistor - 10K Ω 1/4T \pm 5%	
152	16114222	Resistor - 2.2K Ω 1/4T \pm 5%	
153	16114330	Resistor - 330 Ω 1/4T \pm 5%	
154	16114472	Resistor - 4.7K Ω 1/4T \pm 5%	
155	16116821	Resistor - 820 Ω 1/2W	
156	16020953	Coil - 800 μ H 2.5A	
157	16060658	Capacitor - 0.1 μ F 50V	
158	16100286	Capacitor - 100PF 50V	

5. DF HARNESS [5918]

July 31, '86

